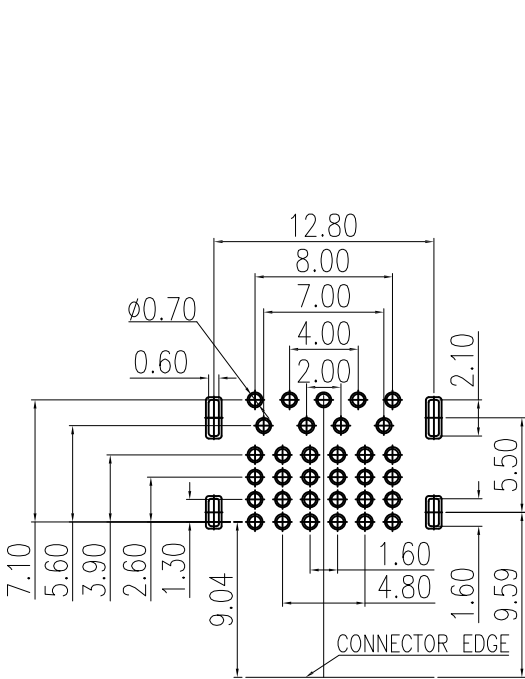
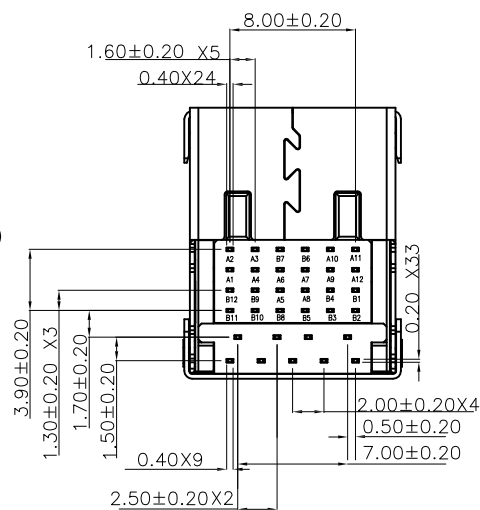
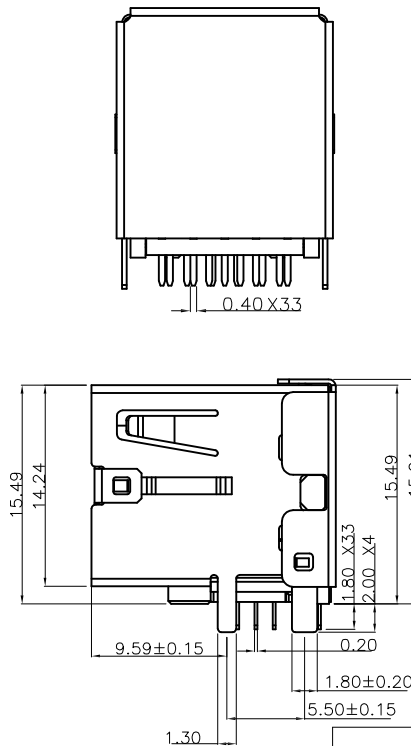
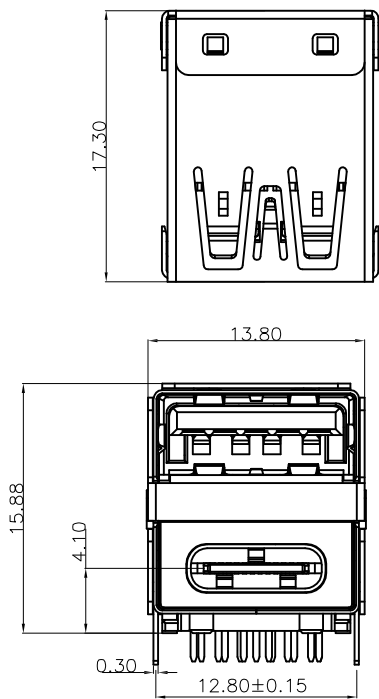


APPROVED: _____
 DATE: _____ TITLE: _____

Rev	AWO #	Description	Date	Appr
-		RELEASED	11/12/19	



RECOMMENDED PCB LAYOUT



USB TYPE A 3.0	
PIN NUMBER	SIGNAL NAME
1	VBUS
2	D-
3	D+
4	GND
5	StdA_SSRX-
6	StdA_SSRX+
7	GND_DRAIN
8	StdA_SSTX-
9	StdA_SSTX+

USB TYPE C 3.0			
	A		B
1	GND	12	GND
2	TX1+	11	RX1+
3	TX1-	10	RX1-
4	VBUS	9	VBUS
5	CC1	8	SBU2
6	Da+	7	Db-
7	Da-	6	Db+
8	SBU1	5	CC2
9	VBUS	4	VBUS
10	RX2-	3	TX2-
11	RX2+	2	TX2+
12	GND	1	GND

SPECIFICATIONS:

Material:
 Insulator: High Temp Thermoplastic, rated UL 94V-0
 Insulator color: Black
 Contacts: Copper Alloy
 Shell: Stainless Steel, SUS301, Nickel plated
 Plating:
 Gold flash over Nickel underplate on contact area,
 Matte Tin over Nickel underplate on solder tails
 Electrical:
 Voltage Rated: Type-C: 100 VAC
 Current Rated: Type-A: 1.5 A max @250 VAC Min
 Type-C: 5 A max @250 VAC Min
 Contact resistance: Type A: 30 mohms
 Type C: 40 mohms
 Insulation resistance: 100 Mohms
 Dielectric withstanding voltage: 100 VAC
 Environmental:
 Lead free, RoHS compliant.

UNLESS OTHERWISE SPECIFIED
 ALL DIMENSIONS ARE MILLIMETERS
 TOLERANCES: EXCEPT AS NOTED

MM	ANGLE
.X ± 0.38	X° ± 3°
.XX ± 0.25	X.X° ± 2°
	X.XX° ± 1°

ADAM TECH
 INTERCONNECTS
 909 Rahway Avenue,
 Union, NJ 07083
 Phone: 908-687-5000
 Fax: 908-687-5710

APPROVALS		DATE
DRAWN	LH	11/12/19
CHECKED	TW	11/12/19
APPROVED		

TITLE UNIVERSAL SERIAL BUS, DUAL PORT, RIGHT ANGLE TYPE A 3.0 OVER C 3.1, PCB, TERMINALS			
SIZE X	PART NO. USB-A3/C31-D-RA-CS1	REV. -	
REF: S00013T	SCALE: NTS	SHEET 1 OF 1	