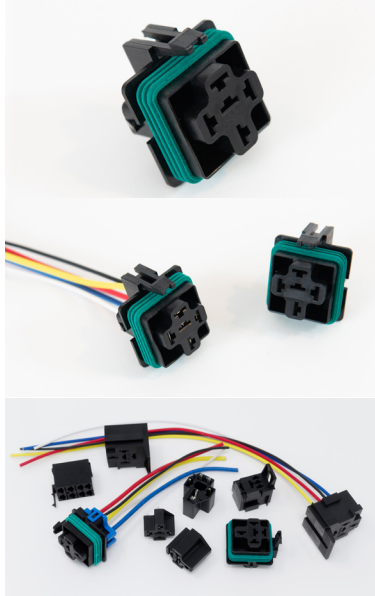


BR05-WP Series



- For Weatherproof Relays
- Will fit most ISO mini weatherproof relays
- Product features and benefits
 - Uses push to seat terminations – quick and easy assembly in your harness applications
 - Individual Wire Seals sold separately.
 - 1 socket and 3 sizes of wire seals will meet all of your needs.
 - Components rated to 125°C temperature rating with V2 or better flame resistance
 - Integrity of system passed ASTM Salt Spray test requirements.
 - Design is both cost and labor effective – best value on the market.
 - Easily converts to 4 position or 5 position connector.
 - Works with TE Faston/Fastin Series contacts.
 - Optional Delphi MetriPak 630 Series contacts version to be available.

Available either as the individual connector, or in prewired assemblies.

BR Series

Description	Mini ISO Weatherproof Automotive Relay Sockets	
Construction	Molding • Heat Stabilized Thermoplastic, 140 degrees C, Continuous Use Temperature Rating Gasket • High Temperature Silicone Rubber Wire Seals • High Temperature Silicone Rubber	
Agency Approvals	<ul style="list-style-type: none"> • ROHS • IP67 	
Testing Passed	<ul style="list-style-type: none"> • Dust Exposure SAE J1455 Sect. 4.7, IEC 60529 Sect. 13.4 & 13.6 • Salt Spray ASTM B117-07 • Water Immersion IEC 60529 Sect. 14.2.7 • Fluids Compatibility SAE J1455 Sect. 4.7, Engine Oil, Brake Fluid, Washer Solvent, Gasoline, Diesel Fuel 	

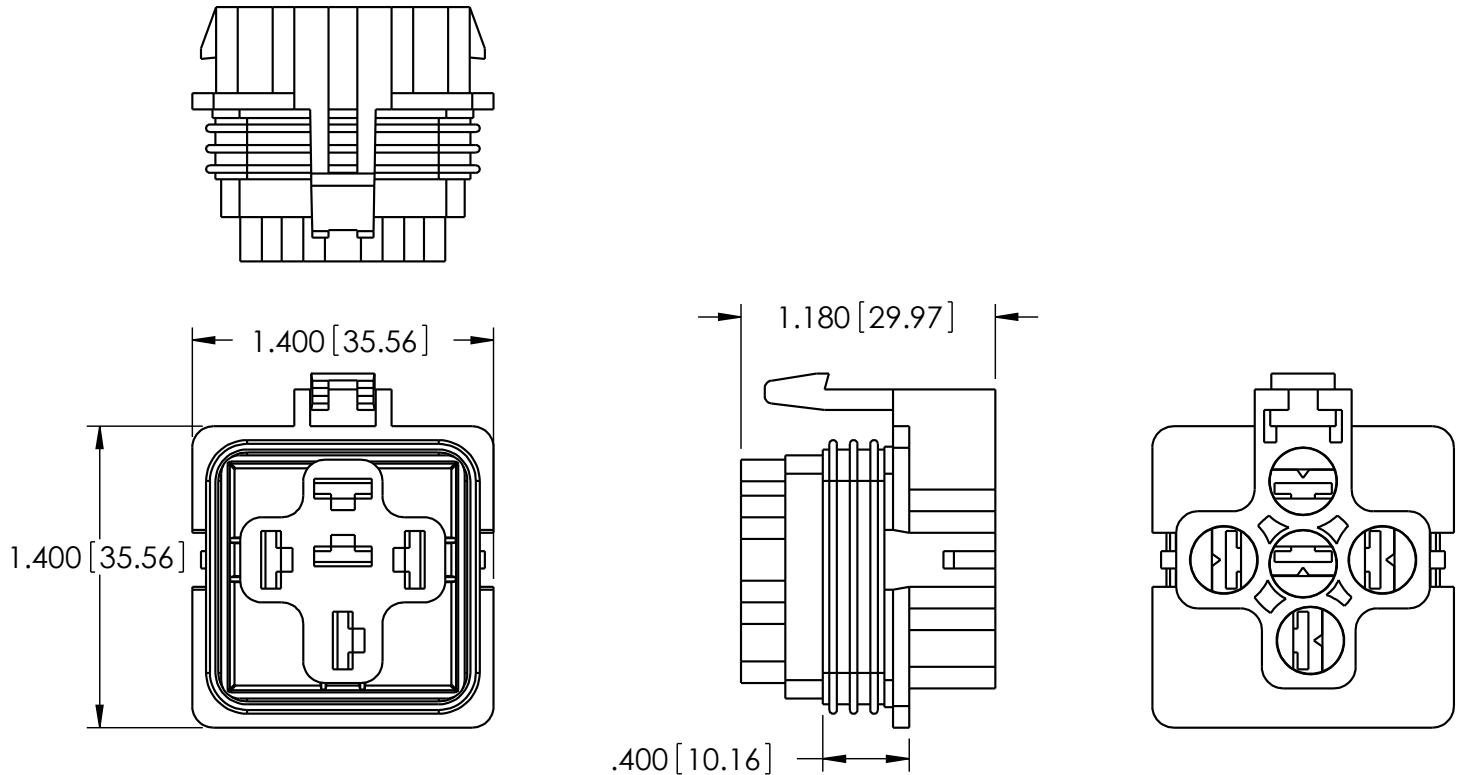
BR Series Ordering Code

Part #	Description	Terminal Type
BR05-WP	5 Pin weatherproof connector for wire harnessing	Crimp
312X06-LO	Orange Wire Seal for 18 ga Wire	
312X09-L	Grey Wire Seal for 14-16 ga Wire	
312X 13-LY	Yellow Wire Seal for 12 ga Wire	
312XP	Grey Plug for use in 1 Form A Open Circuit Applications	

Terminal Compatibility Chart

Custom Connector Corporation recommends the following terminals to be used in conjunction with our BR Series relay socket series. All Parts listed below need to be purchased separately.

Order From	Part #	AWG	Blade
TE Connectivity	60253	12-16 ga	1/4"
TE Connectivity	42100	14-18 ga	1/4"



PW Series

Description	Pre-Wired Automotive Relay Harness Assemblies	
Construction	Molding	<ul style="list-style-type: none"> • Heat Stabilized Thermoplastic, 140 degrees C, Continuous Use Temperature Rating
	Terminals	<ul style="list-style-type: none"> • Brass, Tin Plated
	Wire Seals/Gaskets	<ul style="list-style-type: none"> • (WP Models Only), High Temperature Silicone Rubber
	Wire	<ul style="list-style-type: none"> • GXL Insulated
Agency Approvals	• ROHS	

PW-BR05-WP-00004	SPDT, 12" wire leads, 14 awg at load contacts 30, 87, 87a, 18awg at coil contacts 85 and 86.
PW-BR05-WP-00005	SPDT, 12" wire leads, 14 awg at load contacts 30 and 87, 87a sealed, 18awg at coil contacts 85 and 86.

BR05-WPD to accept Delphi terminals - Delphi Metri-Pak 630 Series

For customers who prefer Delphi terminals instead of TE Connectivity Terminals

NOTE: All Custom Connectors products in the designated "Automotive Relay Sockets & Connectors" Product offerings (i.e. BR, PR, VR Series), can be available to accept Delphi contacts. Contact us for details!

**High Quality Manufactured Products, Innovation, Technical Expertise,
Timely Deliveries, & Excellent Customer Service**

American Made Products!