



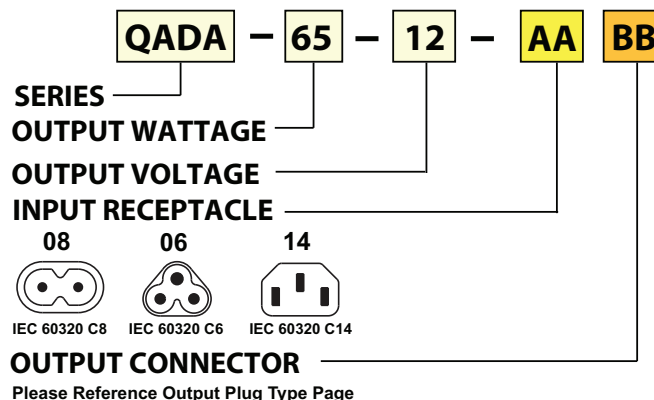
Features:

- Universal AC input/ Full Range
- Energy Efficiency Level V
- ErP Step 2 Compliant
- NRCan and GEMS Compliant
- Output Protections: OVP/SCP/OC
- No Load Power Consumption <0.5W
- 1 Year Warranty

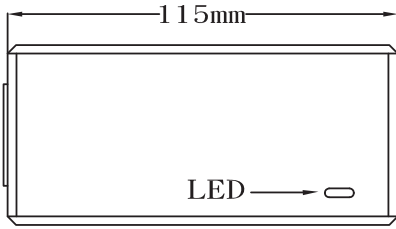


Model	QADA-65-12	QADA-65-15	QADA-65-16	QADA-65-18	QADA-65-19	QADA-72-19	QADA-65-20	QADA-65-24	QADA-72-24	QADA-65-30	QADA-65-32	QADA-65-48
Output Characteristics												
DC Output	12V	15V	16V	18V	19V	19V	20V	24V	24V	30V	32V	48V
Rated Current	5.0A	4.34A	4.07A	3.62A	3.43A	3.79A	3.25A	2.71A	3.00A	2.17A	2.04A	1.36A
Ripple and Noise	±2% Vo @ Rated Load											
Load Regulation (Typ.)	±5%											
Transient Response (Typ.)	0.5mS for 50% Load Change											
Hold-up Time (Typ.)	10mS @ Rated Load											
Output Protection	Short Circuit, Over Voltage, Over Current											
Ferrite Core	Yes											
Input Characteristics												
Voltage Range	100VAC~240VAC											
Frequency Range	50Hz-60Hz											
Efficiency	Energy Star Level V, ErP Step 2, NRCan & GEMS Compliant											
AC Current (max)	1.4A (65W), 1.6A (72W)											
Input Protection	Internal Primary Current Fuse, Inrush Limiting											
Leakage Current	0.25mA (2 Conductor), 3.5mA (3 Conductor)											
Environmental Characteristics												
Operating Temperature	0°C~40°C											
Operating Relative Humidity	20% RH to 80% RH											
Storage Temperature	-20°C~80°C, 10% RH to 90% RH											
Topology	Switching Flyback											
Dielectric Withstand	3000VAC Primary-Secondary											
EMI Conduction & Radiation	Compliance to EN55022 Class B											
Harmonic Current	Compliance to EN61000-3-2, 3											
EMS Immunity	IEC61000-4-2, 3, 4, 5, 6, 8, 11											
Characteristics												
MTBF	300,000Hrs (25°C, Telecordia SR-332)											
Dimension (LxWxH)	115x53x38mm											
Weight	310g											

PART NUMBER SYSTEM

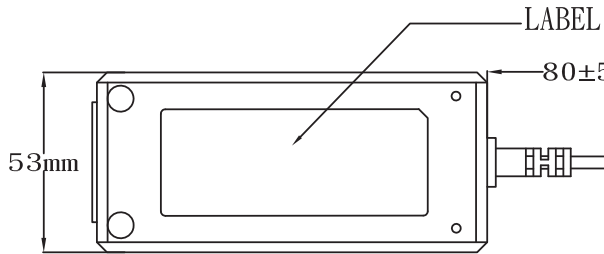


MECHANICAL SPECIFICATIONS

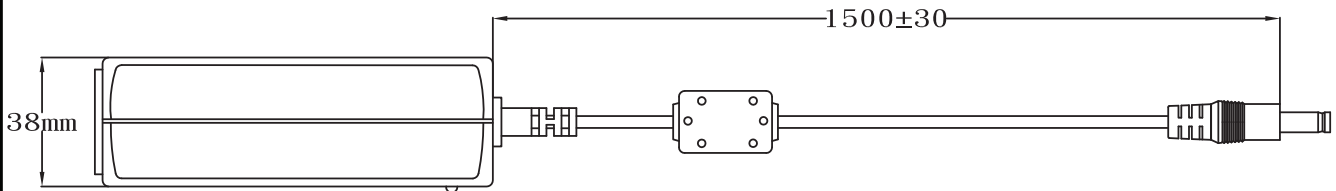


TOP-VIEW

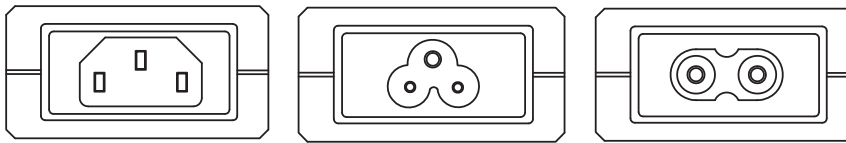
UL1185 16AWG for 12 ~ 16V
UL2468 18AWG for 18 ~ 32V
UL2468 20AWG for 48V



BOTTOM-VIEW

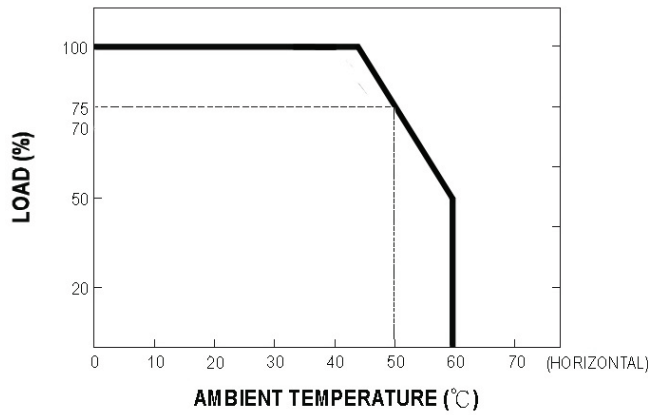


SIDE-VIEW



FRONT-VIEW

DERATING CURVE



UNIT: mm