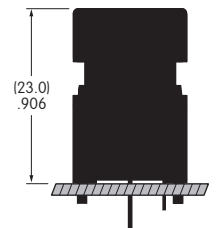
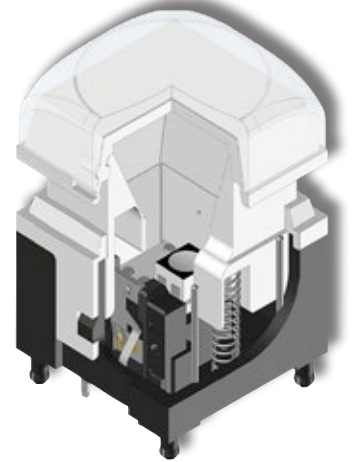


KP Series Compact Illuminated Pushbuttons

Features & Benefits

- An entire array of switches loaded with features for control panel essentials
- **KP01:** Longer, distinct travel of .177" (4.5mm) **KP02:** Shorter stroke of .138" (3.5mm)
- Actuation options: Tactile, Nontactile, Tactile/Audible
- Internal actuation guide delivers positive indication of circuit transfer, plus smooth and silent operation
- Super bright RGB LED emits vibrant full color spectrum in unlimited color combinations
- Manage and display multiple colors or statuses with only one switch
- Super bright amber/blue bicolor LED emanates purple when colors are illuminated simultaneously
- Creative panel flexibility with multiple cap choices and three sizes in Flat, Sculptured or Home Key styles
- Rectangular switch/cap assembly with red LED in tactile or nontactile actuation
- Evenly consistent, full face illumination facilitates easy status check from any angle
- Efficient and economical panel design with compact body and height of only .906" (23.0mm) to top of cap
- Gold plated twin contact mechanism maintains reliability and long life in excess of 5,000,000 operations
- Alternating legends available in standard or custom preferences



Actual Size

General Specifications

- Electrical Capacity** (Resistive Load): 100mA max @ 12V DC
- Contact Resistance:** 200 milliohms max
- Insulation Resistance:** 100 megohms min @ 250V DC
- Dielectric Strength:** 1,000V AC min between contacts for 1 minute min
1,500V AC min between contacts & case for 1 minute min
- Mechanical Life:** 5,000,000 operations min
1,000,000 operations min for Rectangular Switch/Cap Assembly
- Electrical Life:** 5,000,000 operations min
1,000,000 operations min for Rectangular Switch/Cap Assembly
- Nominal Operating Force** **KP01:** 1.9N max for Tactile & Nontactile
KP02: 1.6N max for Tactile, Nontactile & Tactile/Audible
- Travel** **KP01:** Pretravel .122" (3.1mm); Overtravel .055" (1.4mm); Total Travel .177" (4.5mm)
KP02: Pretravel .091" (2.3mm); Overtravel .047" (1.2mm); Total Travel .138" (3.5mm)
- Operating Temperature Range:** -25°C ~ +50°C (-13°F ~ +122°F)

Applications

- Control Panels
- Custom Keyboards
- Instrumentation
- Medical Equipment
- Test & Measurement
- Digital Picking System
- Industrial Automation
- Aerospace
- Defense
- Broadcast
- Security

