

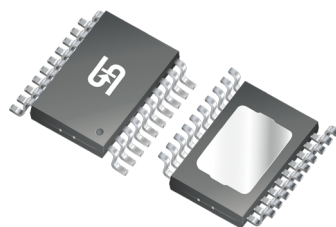


TS19605CA20H

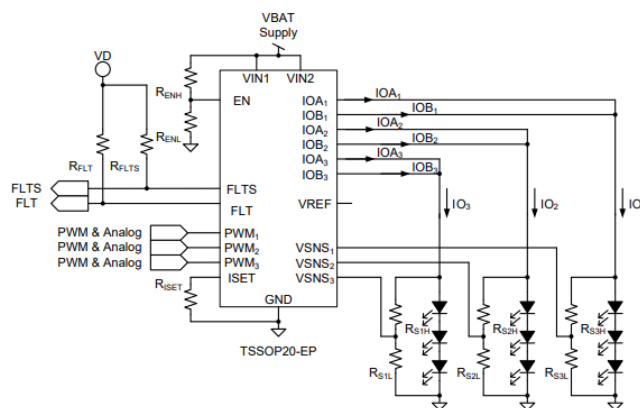
THREE-CHANNEL LINEAR LED DRIVER WITH ANALOG AND PWM DIMMING, AEC-Q100

[TS19605CA20H](#) is a three-channel Linear LED driver with analog and PWM dimming control. This device targets at automotive lighting applications. It provides high-side drivers for LED current configured with the maximum current up to 150mA per channel. By cascade external PNP transistor can reach up to 400mA per channel.

[TS19605CA20H](#) operates with a wide input range of 4.5V to 70V and low quiescent current in standby mode. It is designed with various protection functions such as under voltage lockout (UVLO), LED-String open load voltage protection (OLP) and short circuit protection (SCP), I_{SET} pin open/short protection and over-temperature protection (OTP). Diagnostic features are provided to meet automotive requirements.



TSSOP-20EP



KEY FEATURES & ADVANTAGES:

- AEC-Q100 qualified with the following results:
 - Device temperature grade 1: -40°C to 125°C
 - Device HBM ESD classification level H1C
 - Device CDM ESD classification level C6
- Wide input voltage range: 4.5V to 70V
- Max. output current: 150mA per channel
Adjustable by external resistor
Accuracy: $\pm 4\%$ per channel when I_{OX} @ 200mA
Accuracy: $\pm 6\%$ per device when I_{OX} @ 200mA
Up to 400mA per channel @ $V_{DROPOUT} \leq 1V$
- Dimming function of PWM and Analog
- V_{REF} pin for outside cascade structure to share the power dissipation with full loading
- Diagnostic functionalities (LED-string Open/Short, I_{SET} pin Open/Short, over temperature, supply voltage)
- LED-String voltage feedback per channel for Single-LED Short Detection (SSD)
- Separate fault pin for Single-LED Short Failure
- RoHS Compliant
- Halogen-Free according to IEC 61249-2-21

APPLICATIONS:

- Automotive Lighting Applications: Daytime Running Lamp (DRL) / Interior light, Stop or Tail / Position / Fog / Turn Light
- Industrial LED Applications: General RGB or White LED Drivers

ORDERING INFORMATION:

Ordering Part Number	Outline [Package]	Reel [PCS]	Reel Size [Inch]	Inner Box [PCS]	Carton [PCS]	Carton Size [PCS]	Gross Weight [Kg/ Carton]
TS19605CA20H RLG	TSSOP-20EP	2,500	13"	5,000	25,000	383 x 285 x 390	7.74

For pricing and more information, please contact TSC sales or authorized distributors.