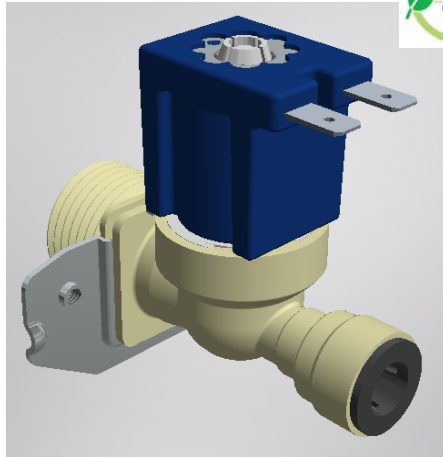


DSVP44-S

DSVP44-S SOLENOID VALVE

Pilot-operated solenoid valve designed to control the flow of water.



Applications

- Coffee machines
- Vending equipment
- Ice maker equipment
- Water purification equipment
- Potable water applications

Features

- UL Certified
- Economical construction
- Encapsulated coil
- Multiple flow washer options



Electrical Specifications	
Coil Voltages	24, 120, 240 VAC 50,60 Hz 12, 24 VDC
Coil Power	VAC: 5W VDC: 7.6W
Terminals	0.25" spade terminals
Duty Cycle	Continuous
Coil Treatment	Nylon encapsulated
Insulation Class	Class F (155° C)
Ambient Temperature	5-60° C
Mechanical Specifications	
Media	Water
Operating Pressure	5-145 psi
Burst Pressure	725 psi
Flow Regulator Options	0.26, 0.66, 0.79, 0.92, 1.1, 1.25, 1.45, 2.0, 2.64, 3.0, 4.2 GPM
Inlet / Outlet Connections	Inlet: 3/4-11 1/2 GHT or 3/4-14 BSPP Outlet: 1/4" push to connect
Mounting	Bracket available in 90° increments
Filter Screen	Removable plastic screen in inlet port
Valve Body Material	Glass filled nylon
Seal Material	EPDM
Product Weight	3.5 oz.
Agency Approvals	
	UR, cUR, NSF

